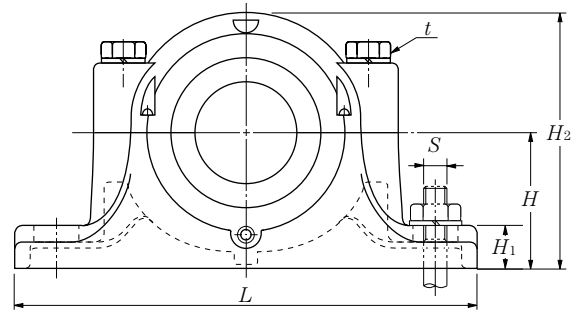
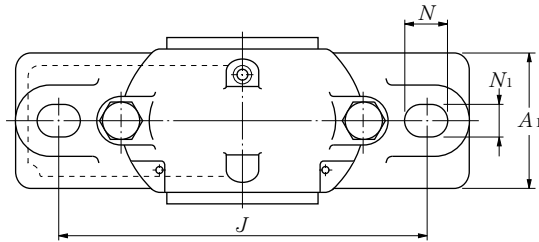


Plummer Blocks SN5

Standard type / For bearing with adapter assembly



d_1 25~140mm

Shaft dia. mm d_1	Bearing numbers	Abutment and fillet dimensions												Approx. S nominal number	Mass kg (approx.)
		D	H	J	N_1	N	A	L	A_1	H_1	H_2	g	t nominal number		
25	SN506	62	50	150	15	20	77	185	52	22	90	30	M8	M12	1.7
30	SN507	72	50	150	15	20	82	185	52	22	95	33	M10	M12	2.2
35	SN508	80	60	170	15	20	85	205	60	25	110	33	M10	M12	2.6
40	SN509	85	60	170	15	20	85	205	60	25	112	31	M10	M12	2.8
45	SN510	90	60	170	15	20	90	205	60	25	115	33	M10	M12	3.0
50	SN511	100	70	210	18	23	95	255	70	28	130	33	M12	M16	4.0
55	SN512	110	70	210	18	23	105	255	70	30	135	38	M12	M16	4.5
60	SN513	120	80	230	18	23	110	275	80	30	150	43	M12	M16	5.6
65	SN515	130	80	230	18	23	115	280	80	30	155	41	M12	M16	6.0
70	SN516	140	95	260	22	27	120	315	90	32	175	43	M16	M20	9.0
75	SN517	150	95	260	22	27	125	320	90	32	185	46	M16	M20	9.3
80	SN518	160	100	290	22	27	145	345	100	35	195	62.4	M16	M20	12
85	SN519 ^②	170	112	290	22	27	140	345	100	35	210	53	M16	M20	14
90	SN520	180	112	320	26	32	160	380	110	40	218	70.3	M20	M24	17
100	SN522	200	125	350	26	32	175	410	120	45	240	80	M20	M24	20
110	SN524	215	140	350	26	32	185	410	120	45	270	86	M20	M24	23
115	SN526	230	150	380	28	36	190	445	130	50	290	90	M24	M24	29
125	SN528	250	150	420	33	42	205	500	150	50	305	98	M24	M30	37
135	SN530	270	160	450	33	42	220	530	160	60	325	106	M24	M30	42
140	SN532	290	170	470	33	42	235	550	160	60	345	114	M24	M30	48

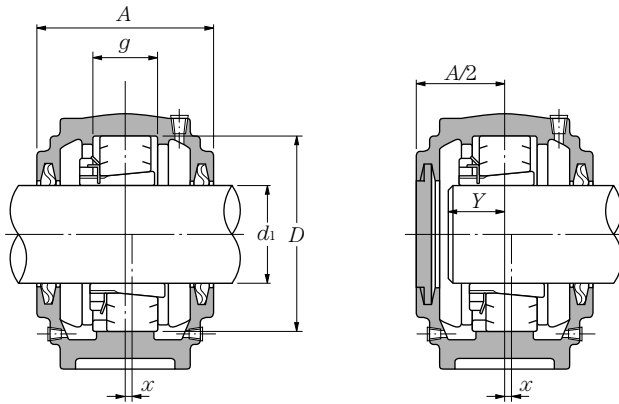
① The numeral in nominal number of the setting ring represents the outside diameter and width dimension.

② Though not JIS part number, SN519 complies with JIS.

③ Dimension Y is an approximate distance from the bearing center to the shaft end for shaft end configuration.

④ 11 through 18 for bearing series 222 are also applicable to type E self-aligning roller bearings. For details, contact NTN Engineering.

NOTE: 1) Sizes SN524 and greater are equipped with lifting eye bolts.



Self-aligning ball bearings	Nominal number					Approx. mm Y ^⑤	Seal number	shaft dia. mm d ₁
	setting washer ^①	number	spherical roller bearings	setting washer	number			
1206K;H206X 2206K;H306X	SR 62X 7 SR 62X10	2 1	—	—	—	18 20	ZF6	25
1207K;H207X 2207K;H307X	SR 72X 8 SR 72X10	2 1	—	—	—	19 22	ZF7	30
1208K;H208X 2208K;H308X	SR 80X 7.5 SR 80X10	2 1	22208CK;H308X	SR80X10	1	21 23	ZF8	35
1209K;H209X 2209K;H309X	SR 85X 6 SR 85X 8	2 1	22209CK;H309X	SR85X 8	1	22 24	ZF9	40
1210K;H210X 2210K;H310X	SR 90X 6.5 SR 90X10	2 1	22210CK;H310X	SR90X10	1	24 25	ZF10	45
1211K;H211X 2211K;H311X	SR100X 6 SR100X 8	2 1	22211BK;H311X ^④	SR100X 8	1	25 27	ZF11	50
1212K;H212X 2212K;H312X	SR110X 8 SR110X10	2 1	22212BK;H312X ^④	SR110X10	1	26 29	ZF12	55
1213K;H213X 2213K;H313X	SR120X10 SR120X12	2 1	22213BK;H313X ^④	SR120X12	1	28 32	ZF13	60
1215K;H215X 2215K;H315X	SR130X 8 SR130X10	2 1	22215BK;H315X ^④	SR130X10	1	30 33	ZF15	65
1216K;H216X 2216K;H316X	SR140X 8.5 SR140X10	2 1	22216BK;H316X ^④	SR140X10	1	32 36	ZF16	70
1217K;H217X 2217K;H317X	SR150X 9 SR150X10	2 1	22217BK;H317X ^④	SR150X10	1	34 38	ZF17	75
1218K;H218X 2218K;H318X	SR160X16.2 SR160X11.2	2 2	22218EK;H318X 22218BK;H318X ^④ 23218BK;H2318X	SR160X11.2 SR160X10	2 1	35 40 46	ZF18	80
1219K;H219X 2219K;H319X	SR170X10.5 SR170X10	2 1	22219BK;H319X	SR170X10	1	37 43	ZF19	85
1220K;H220X 2220K;H320X	SR180X18.1 SR180X12.1	2 2	22220BK;H320X 23220BK;H2320X	SR180X12.1 SR180X10	2 1	39 45 52	ZF20	90
1222K;H222X 2222K;H322X	SR200X21 SR200X13.5	2 2	22222BK;H322X 23222BK;H2322X	SR200X13.5 SR200X10	2 1	42 50 58	ZF22	100
—	—	—	22224BK;H3124X 23224BK;H2324X	SR215X14 SR215X10	2 1	53 62	ZF24	110
—	—	—	22226BK;H3126 23226BK;H2326	SR230X13 SR230X10	2 1	57 65	ZF26	115
—	—	—	22228BK;H3128 23228BK;H2328	SR250X15 SR250X10	2 1	60 70	ZF28	125
—	—	—	22230BK;H3130 23230BK;H2330	SR270X16.5 SR270X10	2 1	65 76	ZF30	135
—	—	—	22232BK;H3132 23232BK;H2332	SR290X17 SR290X10	2 1	71 83	ZF32	140

2) Fill and drain plugs:
Size: SN506-SN520.....PT1/8
SN522-SN532.....PT1/4

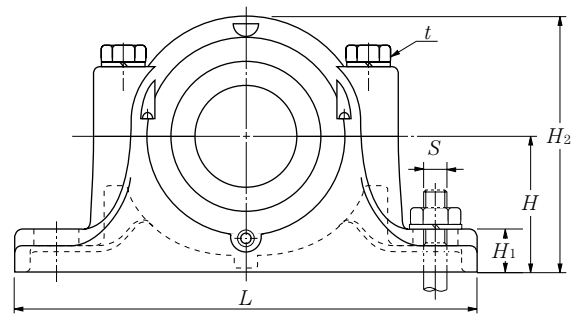
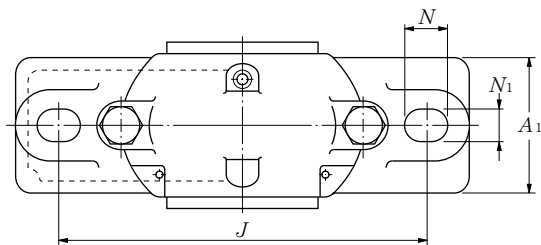
3) Dimension X indicates a deviation of the bearing center relative to the plummer block center, and its value is 1/2 the width of the setting washer.

4) As an adaptor for bearing series 12, series H2 as well as series H3 can be used.

5) Materials of setting washers:
SR62-SR250 Die-casting zinc alloy, category 2, ZDC2
SR270-SR290 Gray cast iron, category 3, FC200

Plummer Blocks SN6·S6

Standard type / For bearing with adapter assembly

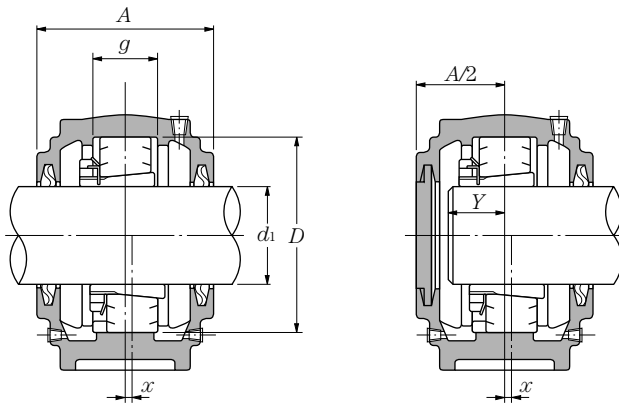


d_1 25~140mm

Shaft dia. mm d_1	Bearing numbers	Abutment and fillet dimensions												Approx. S nominal number	Mass kg (approx.)	Nominal number Self-aligning ball bearings
		D	H	J	N_1	N	mm A L		A_1	H_1	H_2	g	t nominal number			
25	SN606	72	50	150	15	20	82	185	52	22	95	37	M10	M12	2.3	1306K;H306X 2306K;H2306X
30	SN607	80	60	170	15	20	90	205	60	25	110	41	M10	M12	3.0	1307K;H307X 2307K;H2307X
35	SN608	90	60	170	15	20	95	205	60	25	115	43	M10	M12	3.1	1308K;H308X 2308K;H2308X
40	SN609	100	70	210	18	23	105	255	70	28	130	46	M12	M16	4.4	1309K;H309X 2309K;H2309X
45	SN610	110	70	210	18	23	115	255	70	30	135	50	M12	M16	5.0	1310K;H310X 2310K;H2310X
50	SN611	120	80	230	18	23	120	275	80	30	150	53	M12	M16	5.8	1311K;H311X 2311K;H2311X
55	SN612	130	80	230	18	23	125	280	80	30	155	56	M12	M16	7.7	1312K;H312X 2312K;H2312X
60	SN613	140	95	260	22	27	130	315	90	32	175	58	M16	M20	9.8	1313K;H313X 2313K;H2313X
65	SN615	160	100	290	22	27	140	345	100	35	195	65	M16	M20	12	1315K;H315X 2315K;H2315X
70	SN616	170	112	290	22	27	145	345	100	35	212	68	M16	M20	15	1316K;H316X 2316K;H2316X
75	SN617	180	112	320	26	32	155	380	110	40	218	70	M20	M24	17	1317K;H317X 2317K;H2317X
80	S618	190	112	320	26	35	160	400	110	33	230	74	M20	M24	21	1318K;H318X 2318K;H2318X
85	S619	200	125	350	26	35	170	420	120	36	245	77	M20	M24	24	1319K;H319X 2319K;H2319X
90	S620	215	140	350	26	35	175	420	120	38	280	83	M20	M24	29	1320K;H320X 2320K;H2320X
100	S622	240	150	390	28	38	190	460	130	40	300	90	M24	M24	38	1322K;H322X 2322K;H2322X
110	S624	260	160	450	33	42	205	540	160	50	325	96	M24	M30	47	—
115	S626	280	170	470	33	42	215	560	160	50	350	103	M24	M30	54	—
125	S628	300	180	520	35	45	235	630	170	55	375	112	M30	M30	70	—
135	S630	320	190	560	35	45	245	680	180	55	395	118	M30	M30	75	—
140	S632	340	200	580	42	52	255	710	190	60	415	124	M30	M36	80	—

- ① The numeral in nominal number of the setting ring represents the outside diameter and width dimension.
- ② Dimension Y is an approximate distance from the bearing center to the shaft end for shaft end configuration.

NOTE: 1) Sizes S618 and greater are equipped with lifting eye bolts.
 2) Fill and drain plugs:
 Size: SN606-SN617.....PT1/8
 S618-S632.....PT1/4

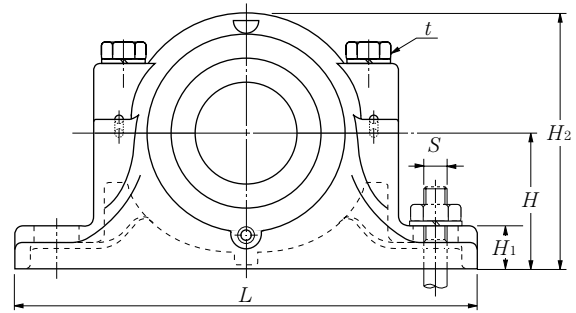
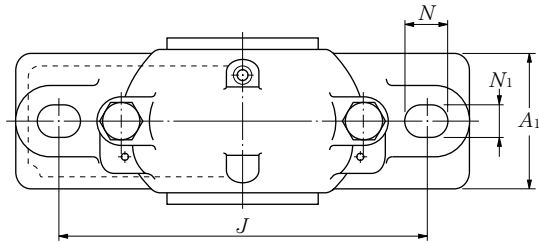


setting washer ①	Nominal number		setting washer	Approx. mm Y ②	Seal number	shaft dia. mm d ₁	
	number	spherical roller bearings					number
SR 72X 9	2	—	—	19	ZF6	25	
SR 72X10	1	—	—	23	ZF6	25	
SR 80X10	2	—	—	21	ZF7	30	
SR 80X10	1	—	—	26	ZF7	30	
SR 90X10	2	21308CK;H308X	SR 90X10	2	23	ZF8	35
SR 90X10	1	22308CK;H2308X	SR 90X10	1	28	ZF8	35
SR100X10.5	2	21309CK;H309X	SR100X10.5	2	25	ZF9	40
SR100X10	1	22309CK;H2309X	SR100X10	1	31	ZF9	40
SR110X11.5	2	21310CK;H310X	SR110X11.5	2	27	ZF10	45
SR110X10	1	22310CK;H2310X	SR110X10	1	34	ZF10	45
SR120X12	2	21311K;H311X	SR120X12	2	29	ZF11	50
SR120X10	1	22311BK;H2311X	SR120X10	1	36	ZF11	50
SR130X12.5	2	21312K;H312X	SR130X12.5	2	31	ZF12	55
SR130X10	1	22312BK;H2312X	SR130X10	1	39	ZF12	55
SR140X12.5	2	21313K;H313X	SR140X12.5	2	33	ZF13	60
SR140X10	1	22313BK;H2313X	SR140X10	1	40	ZF13	60
SR160X14	2	21315K;H315X	SR160X14	2	36	ZF15	65
SR160X10	1	22315BK;H2315X	SR160X10	1	45	ZF15	65
SR170X14.5	2	21316K;H316X	SR170X14.5	2	39	ZF16	70
SR170X10	1	22316BK;H2316X	SR170X10	1	48	ZF16	70
SR180X14.5	2	21317K;H317X	SR180X14.5	2	41	ZF17	75
SR180X10	1	22317BK;H2317X	SR180X10	1	50	ZF17	75
SR190X15.3	2	21318K;H318X	SR190X15.3	2	42	ZF18	80
SR190X 9.5	1	22318BK;H2318X	SR190X 9.5	1	52	ZF18	80
SR200X15.8	2	21319K;H319X	SR200X15.8	2	44	ZF19	85
SR200X 9.5	1	22319BK;H2319X	SR200X 9.5	1	55	ZF19	85
SR215X17.8	2	21320K;H320X	SR215X17.8	2	46	ZF20	90
SR215X 9.5	1	22320BK;H2320X	SR215X 9.5	1	59	ZF20	90
SR240X19.8	2	21322K;H322X	SR240X19.8	2	48	ZF22	100
SR240X 9.5	1	22322BK;H2322X	SR240X 9.5	1	63	ZF22	100
—	—	22324BK;H2324X	SR260X 9.5	1	67	ZF24	110
—	—	22326BK;H2326	SR280X 9.5	1	72	ZF26	115
—	—	22328BK;H2328	SR300X 9.5	1	77	ZF28	125
—	—	22330BK;H2330	SR320X 9.5	1	82	ZF30	135
—	—	22332BK;H2332	SR340X 9.5	1	88	ZF32	140

3) Dimension X indicates a deviation of the bearing center relative to the plummer block center, and its value is 1/2 the width of the setting washer.

Plummer Blocks SN30·SN31

Standard type / For bearing with adapter assembly



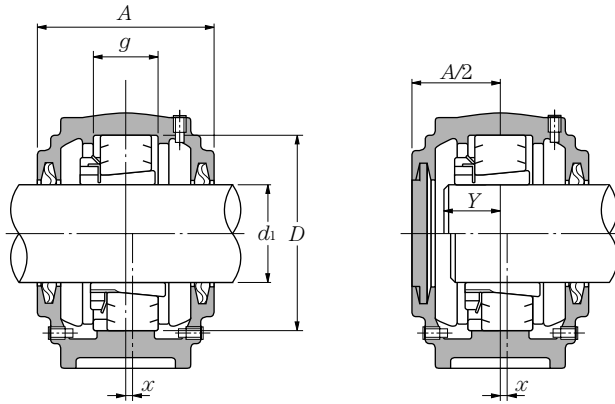
d_1 110~170mm

Shaft dia. mm d_1	Bearing numbers	Abutment and fillet dimensions											Approx. S nominal number	
		D	H	J	N_1	N	mm A		L	A_1	H_1	H_2		g
110	SN3024	180	112	320	26	32	150	380	110	40	217	56	M20	M24
115	SN3026	200	125	350	26	32	160	410	120	45	240	62	M20	M24
125	SN3028	210	140	350	26	32	170	410	120	45	260	63	M20	M24
135	SN3030	225	150	380	28	36	175	445	130	50	283	66	M24	M24
140	SN3032	240	150	390	28	36	190	460	130	50	290	70	M24	M24
150	SN3034	260	160	450	33	42	200	530	160	60	310	77	M24	M30
160	SN3036	280	170	470	33	42	210	550	160	60	330	84	M24	M30
170	SN3038	290	170	470	33	42	210	550	160	60	335	85	M24	M30

100	SN3122	180	112	320	26	32	155	380	110	40	217	66	M20	M24
110	SN3124	200	125	350	26	32	165	410	120	45	240	72	M20	M24
115	SN3126	210	140	350	26	32	170	410	120	45	260	74	M20	M24
125	SN3128	225	150	380	28	36	180	445	130	50	283	78	M24	M24
135	SN3130	250	150	420	33	42	200	500	150	50	295	90	M24	M30
140	SN3132	270	160	450	33	42	215	530	160	60	315	96	M24	M30
150	SN3134	280	170	470	33	42	220	550	160	60	330	98	M24	M30
160	SN3136	300	180	520	33	42	230	610	170	70	355	106	M30	M30
170	SN3138	320	190	560	33	42	240	650	180	70	375	114	M30	M30

- ① The numeral in nominal number of the setting ring represents the outside diameter and width dimension.
- ② Dimension Y is an approximate distance from the bearing center to the shaft end for shaft end configuration.

NOTE: 1) Sizes SN3028 and greater and sizes SN3126 and greater are equipped with lifting eye bolts.
2) Fill and drain plugs:
Size: PT1/4



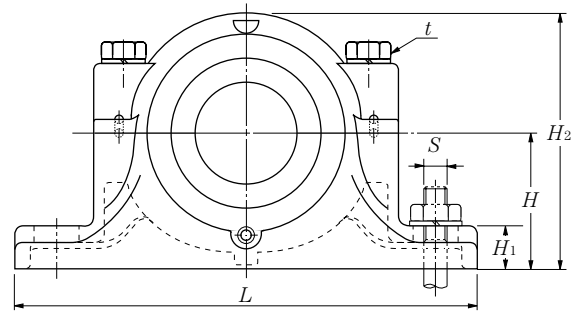
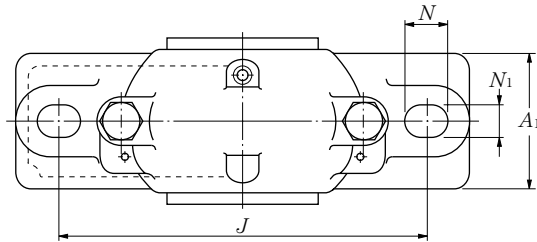
Mass kg (approx.)	Nominal number			Approx. mm Y ^②	Seal number	shaft dia. mm d ₁
	spherical roller bearings	setting washer ^① number				
17	23024BK;H3024X	SR180X10	1	47	ZF24	110
20	23026BK;H3026	SR200X10	1	51	ZF26	115
25	23028BK;H3028	SR210X10	1	53	ZF28	125
30	23030BK;H3030	SR225X10	1	56	ZF30	135
33	23032BK;H3032	SR240X10	1	61	ZF32	140
46	23034BK;H3034	SR260X10	1	66	ZF34	150
52	23036BK;H3036	SR280X10	1	70	ZF36	160
52	23038BK;H3038	SR290X10	1	72	ZF38	170

18	23122BK;H3122X	SR180X10	1	51	ZF22	100
21	23124BK;H3124X	SR200X10	1	55	ZF24	110
26	23126BK;H3126	SR210X10	1	57	ZF26	115
32	23128BK;H3128	SR225X10	1	60	ZF28	125
40	23130BK;H3130	SR250X10	1	68	ZF30	135
45	23132BK;H3132	SR270X10	1	74	ZF32	140
51	23134BK;H3134	SR280X10	1	76	ZF34	150
63	23136BK;H3136	SR300X10	1	81	ZF36	160
76	23138BK;H3138	SR320X10	1	86	ZF38	170

3) Dimension x indicates a deviation of the bearing center relative to the plummer block center, and its value is 1/2 the width of the setting washer.

Plummer Blocks SNZ2

Stepped bore type / For cylindrical bore bearing



d_1 30~160mm

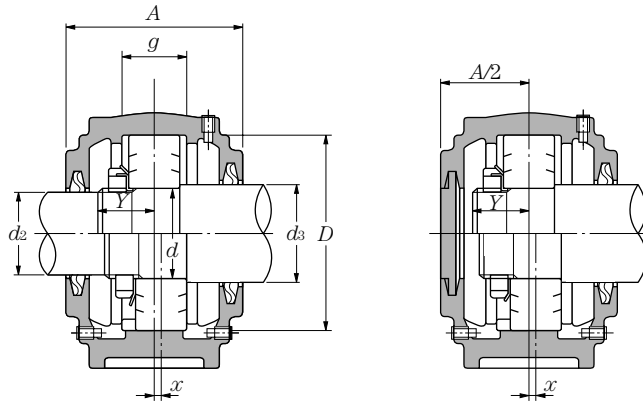
Shaft dia. mm			Bearing numbers	Abutment and fillet dimensions												Approx. S nominal number	Mass kg (approx.)	Nominal number Self-aligning ball bearings
d	d_2	d_3		D	H	J	N_1	N	mm		A_1	H_1	H_2	g	t nominal number			
30	25	35	SNZ206	62	50	150	15	20	77	185	52	22	90	30	M 8	M12	1.8	1206 2206
35	30	45	SNZ207	72	50	150	15	20	82	185	52	22	95	33	M10	M12	2.2	1207 2207
40	35	50	SNZ208	80	60	170	15	20	85	205	60	25	110	33	M10	M12	2.9	1208 2208
45	40	55	SNZ209	85	60	170	15	20	85	205	60	25	112	31	M10	M12	3.2	1209 2209
50	45	60	SNZ210	90	60	170	15	20	90	205	60	25	115	33	M10	M12	3.4	1210 2210
55	50	65	SNZ211	100	70	210	18	23	95	255	70	28	130	33	M12	M16	4.5	1211 2211
60	55	70	SNZ212	110	70	210	18	23	105	255	70	30	135	38	M12	M16	5.4	1212 2212
65	60	75	SNZ213	120	80	230	18	23	110	275	80	30	150	43	M12	M16	6.2	1213 2213
70	60	80	SNZ214	125	80	230	18	23	115	275	80	30	155	44	M12	M16	6.7	1214 2214
75	65	85	SNZ215	130	80	230	18	23	115	280	80	30	155	41	M12	M16	7.6	1215 2215
80	70	90	SNZ216	140	95	260	22	27	120	315	90	32	175	43	M16	M20	9.4	1216 2216
85	75	95	SNZ217	150	95	260	22	27	125	320	90	32	185	46	M16	M20	10	1217 2217
90	80	100	SNZ218	160	100	290	22	27	145	345	100	35	195	62.4	M16	M20	13	1218 2218 —
95	85	110	SNZ219	170	112	290	22	27	140	345	100	35	210	53	M16	M20	16	1219 2219
100	90	115	SNZ220	180	112	320	26	32	160	380	110	40	218	70.3	M20	M24	18	1220 2220 —
110	100	125	SNZ222	200	125	350	26	32	175	410	120	45	240	80	M20	M24	23	1222 2222 —
120	110	135	SNZ224	215	140	350	26	32	185	410	120	45	270	86	M20	M24	25	—
130	115	145	SNZ226	230	150	380	28	36	190	445	130	50	290	90	M24	M24	32	—
140	125	155	SNZ228	250	150	420	33	42	205	500	150	50	305	98	M24	M30	41	—
150	135	165	SNZ230	270	160	450	33	42	220	530	160	60	325	106	M24	M30	49	—
160	140	175	SNZ232	290	170	470	33	42	235	550	160	60	345	114	M24	M30	57	—

① The numeral in nominal number of the setting ring represents the outside diameter and width dimension.

② Dimension Y is an approximate distance from the bearing center to the shaft

end for shaft end configuration.

NOTE: 1) Sizes SNZ224 and greater are equipped with lifting eye bolts.



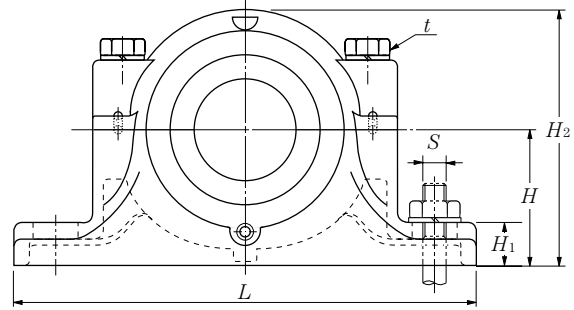
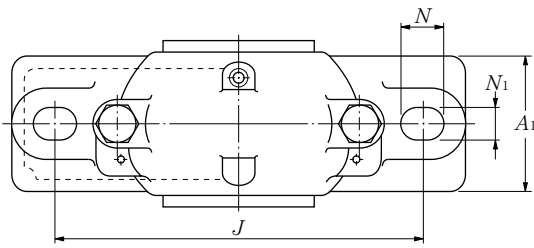
Nominal number						Approx. mm Y ^②	Seal number		shaft dia. mm d	
setting washer ^① number	spherical roller bearings	setting washer number	nut	washer	(d_2)		(d_3)			
SR 62X 7 SR 62X10	2 1	—	—	AN06	AW06	18 20	ZF 6	ZF 8	30	
SR 72X 8 SR 72X10	2 1	—	—	AN07	AW07	19 22	ZF 7	ZF10	35	
SR 80X 7.5 SR 80X10	2 1	22208C	SR 80X10	1	AN08	AW08	21 23	ZF 8	ZF11	40
SR 85X 6 SR 85X 8	2 1	22209C	SR 85X 8	1	AN09	AW09	22 24	ZF 9	ZF12	45
SR 90X 6.5 SR 90X10	2 1	22210C	SR 90X10	1	AN10	AW10	24 25	ZF10	ZF13	50
SR100X 6 SR100X 8	2 1	22211B	SR100X 8	1	AN11	AW11	25 27	ZF11	ZF15	55
SR110X 8 SR110X10	2 1	22212B	SR110X10	1	AN12	AW12	26 29	ZF12	ZF16	60
SR120X10 SR120X12	2 1	22213B	SR120X12	1	AN13	AW13	28 32	ZF13	ZF17	65
SR125X10 SR125X13	2 1	22214B	SR125X13	1	AN14	AW14	28 32	ZF13	ZF18	70
SR130X 8 SR130X10	2 1	22215B	SR130X10	1	AN15	AW15	30 33	ZF15	ZF19	75
SR140X 8.5 SR140X10	2 1	22216B	SR140X10	1	AN16	AW16	32 36	ZF16	ZF20	80
SR150X 9 SR150X10	2 1	22217B	SR150X10	1	AN17	AW17	34 38	ZF17	ZF21	85
SR160X16.2 SR160X11.2 —	2 2 —	22218B 23218B	SR160X11.2 SR160X10	2 1	AN18	AW18	35 40 46	ZF18	ZF22	90
SR170X10.5 SR170X10	2 1	22219B	SR170X10	1	AN19	AW19	37 43	ZF19	ZF24	95
SR180X18.1 SR180X12.1 —	2 2 —	22220B 23220B	SR180X12.1 SR180X10	2 1	AN20	AW20	39 45 52	ZF20	ZF26	100
SR200X21 SR200X13.5 —	2 2 —	22222B 23222B	SR200X13.5 SR200X10	2 1	AN22	AW22	42 50 58	ZF22	ZF28	110
—	—	22224B 23224B	SR215X14 SR215X10	2 1	AN24	AW24	53 62	ZF24	ZF30	120
—	—	22226B 23226B	SR230X13 SR230X10	2 1	AN26	AW26	57 65	ZF26	GS33	130
—	—	22228B 23228B	SR250X15 SR250X10	2 1	AN28	AW28	60 70	ZF28	GS35	140
—	—	22230B 23230B	SR270X16.5 SR270X10	2 1	AN30	AW30	65 76	ZF30	GS37	150
—	—	22232B 23232B	SR290X17 SR290X10	2 1	AN32	AW32	71 83	ZF32	GS39	160

2) Fill and drain plugs:
Size: SNZ206-SNZ220.....PT1/8
SNZ222-SNZ232.....PT1/4

3) Dimension X indicates a deviation of the bearing center relative to the plummer block center, and its value is 1/2 the width of the setting washer.

Plummer Blocks SNZ3·SZ3

Stepped bore type / For cylindrical bore bearing



d_1 30~160mm

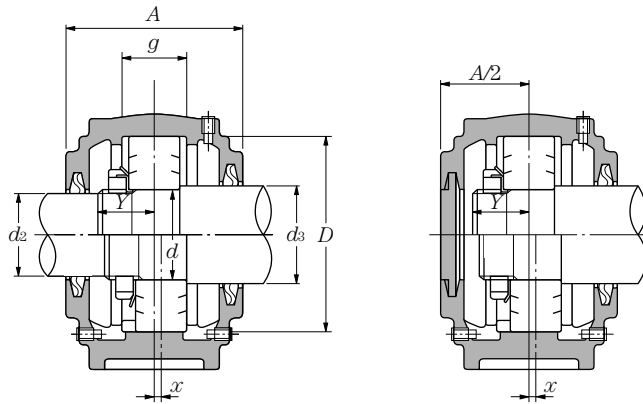
Shaft dia. mm			Bearing numbers	Abutment and fillet dimensions												Approx. S nominal number	Mass kg (approx.)	Nominal number Self-aligning ball bearings
d	d_2	d_3		D	H	J	N_1	N	A	L	A_1	H_1	H_2	g	t nominal number			
30	25	35	SNZ306	72	50	150	15	20	82	185	52	22	95	37	M10	M12	2.1	1306 2306
30	25	40	SNZ306X	72	50	150	15	20	82	185	52	22	95	37	M10	M12	2.1	1306 2306
35	30	45	SNZ307	80	60	170	15	20	90	205	60	25	110	41	M10	M12	3.1	1307 2307
40	35	50	SNZ308	90	60	170	15	20	95	205	60	25	115	43	M10	M12	3.5	1308 2308
45	40	55	SNZ309	100	70	210	18	23	105	255	70	28	130	46	M12	M16	4.8	1309 2309
50	45	60	SNZ310	110	70	210	18	23	115	255	70	30	135	50	M12	M16	5.6	1310 2310
55	50	65	SNZ311	120	80	230	18	23	120	275	80	30	150	53	M12	M16	6.6	1311 2311
60	55	70	SNZ312	130	80	230	18	23	125	280	80	30	155	56	M12	M16	7.9	1312 2312
65	60	75	SNZ313	140	95	260	22	27	130	315	90	32	175	58	M16	M20	11	1313 2313
70	60	80	SNZ314	150	95	260	22	27	130	320	90	32	185	61	M16	M20	12	1314 2314
75	65	85	SNZ315	160	100	290	22	27	140	345	100	35	195	65	M16	M20	13	1315 2315
80	70	90	SNZ316	170	112	290	22	27	145	345	100	35	212	68	M16	M20	16	1316 2316
85	75	95	SNZ317	180	112	320	26	32	155	380	110	40	218	70	M20	M24	18	1317 2317
85	75	100	SNZ317X	180	112	320	26	32	155	380	110	40	218	70	M20	M24	18	1317 2317
90	80	100	SZ318	190	112	320	26	35	160	400	110	33	230	74	M20	M24	21	1318 2318
90	80	105	SZ318X	190	112	320	26	35	160	400	110	33	230	74	M20	M24	21	1318 2318
95	85	110	SZ319	200	125	350	26	35	170	420	120	36	245	77	M20	M24	23	1319 2319
100	90	115	SZ320	215	140	350	26	35	175	420	120	38	280	83	M20	M24	32	1320 2320
110	100	125	SZ322	240	150	390	28	38	190	460	130	40	300	90	M24	M24	42	1322 2322
120	110	135	SZ324	260	160	450	33	42	205	540	160	50	325	96	M24	M30	61	—
130	115	150	SZ326	280	170	470	33	42	215	560	160	50	350	103	M24	M30	68	—
140	125	160	SZ328	300	180	520	35	45	235	630	170	55	375	112	M30	M30	95	—
150	135	170	SZ330	320	190	560	35	45	245	680	180	55	395	118	M30	M30	110	—
160	140	180	SZ332	340	200	580	42	52	255	710	190	60	415	124	M30	M36	130	—

① The numeral in nominal number of the setting ring represents the outside diameter and width dimension.

② Dimension Y is an approximate distance from the bearing center to the shaft

end for shaft end configuration.

NOTE: 1) Sizes SZ318 and greater are equipped with lifting eye bolts.



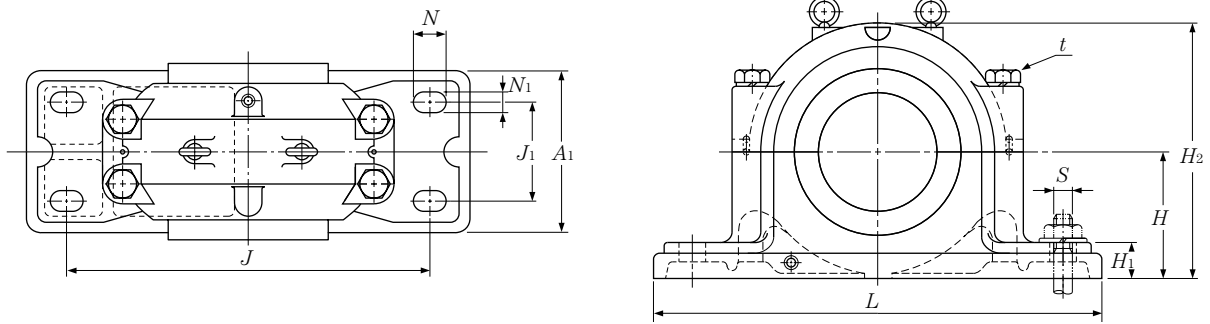
setting washer ¹		Nominal number				Approx. mm Y ²	Seal number		shaft dia. mm d	
number	spherical roller bearings	setting washer number	nut	washer	(d ₂)		(d ₃)			
SR 72X 9 SR 72X10	2 1	—	—	—	AN06	AW06	19 23	ZF6	ZF8	30
SR 72X 9 SR 72X10	2 1	—	—	—	AN06	AW06	19 23	ZF6	ZF9	30
SR 80X10 SR 80X10	2 1	—	—	—	AN07	AW07	21 26	ZF7	ZF10	35
SR 90X10 SR 90X10	2 1	21308C 22308C	SR 90X10 SR 90X10	2 1	AN08	AW08	23 28	ZF8	ZF11	40
SR100X10.5 SR100X10	2 1	21309C 22309C	SR100X10.5 SR100X10	2 1	AN09	AW09	25 31	ZF9	ZF12	45
SR110X11.5 SR110X10	2 1	21310C 22310C	SR110X11.5 SR110X10	2 1	AN10	AW10	27 34	ZF10	ZF13	50
SR120X12 SR120X10	2 1	21311 22311B	SR120X12 SR120X10	2 1	AN11	AW11	29 36	ZF11	ZF15	55
SR130X12.5 SR130X10	2 1	21312 22312B	SR130X12.5 SR130X10	2 1	AN12	AW12	31 39	ZF12	ZF16	60
SR140X12.5 SR140X10	2 1	21313 22313B	SR140X12.5 SR140X10	2 1	AN13	AW13	33 40	ZF13	ZF17	65
SR150X13 SR150X10	2 1	21314 22314B	SR150X13 SR150X10	2 1	AN14	AW14	34 42	ZF13	ZF18	70
SR160X14 SR160X10	2 1	21315 22315B	SR160X14 SR160X10	2 1	AN15	AW15	36 45	ZF15	ZF19	75
SR170X14.5 SR170X10	2 1	21316 22316B	SR170X14.5 SR170X10	2 1	AN16	AW16	39 48	ZF16	ZF20	80
SR180X14.5 SR180X10	2 1	21317 22317B	SR180X14.5 SR180X10	2 1	AN17	AW17	41 50	ZF17	ZF21	85
SR180X14.5 SR180X10	2 1	21317 22317B	SR180X14.5 SR180X10	2 1	AN17	AW17	41 50	ZF17	ZF22	85
SR190X15.3 SR190X 9.5	2 1	21318 22318B	SR190X15.3 SR190X9.5	2 1	AN18	AW18	42 52	ZF18	ZF22	90
SR190X15.3 SR190X 9.5	2 1	21318 22318B	SR190X15.3 SR190X 9.5	2 1	AN18	AW18	42 52	ZF18	ZF23	90
SR200X15.8 SR200X 9.5	2 1	21319 22319B	SR200X15.8 SR200X 9.5	2 1	AN19	AW19	44 55	ZF19	ZF24	95
SR215X17.8 SR215X 9.5	2 1	21320 22320B	SR215X17.8 SR215X 9.5	2 1	AN20	AW20	46 59	ZF20	ZF26	100
SR240X19.8 SR240X 9.5	2 1	21322 22322B	SR240X19.8 SR240X 9.5	2 1	AN22	AW22	48 63	ZF22	ZF28	110
—	—	22324B	SR260X9.5	1	AN24	AW24	67	ZF24	ZF30	120
—	—	22326B	SR280X9.5	1	AN26	AW26	72	ZF26	ZF34	130
—	—	22328B	SR300X9.5	1	AN28	AW28	77	ZF28	ZF36	140
—	—	22330B	SR320X9.5	1	AN30	AW30	82	ZF30	ZF38	150
—	—	22332B	SR340X9.5	1	AN32	AW32	88	ZF32	ZF40	160

2) Fill and drain plugs:
Size: SNZ306-SNZ317.....PT1/8
SZ318-SZ332.....PT1/4

3) Dimension X indicates a deviation of the bearing center relative to the plummer block center, and its value is 1/2 the width of the setting washer.

Plummer Blocks SD5·SD5G·SD6·SD6G

For heavy load, double rubber sealed type / For bearing with adapter assembly



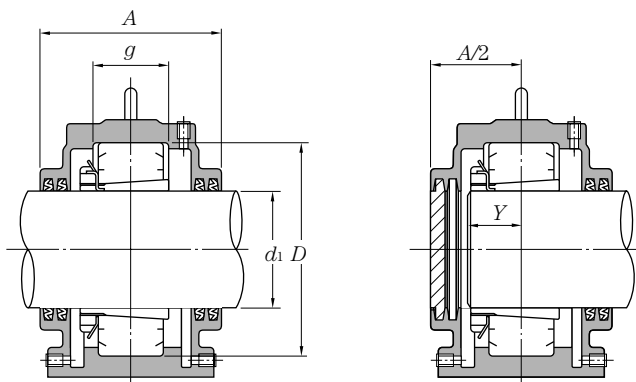
d_1 150~300mm

Shaft dia. mm d_1	Bearing numbers		Abutment and fillet dimensions													Approx. S nominal number
	free side	fixed side	D	H	J	J_1	N_1	N	mm A	L	A_1	H_1	H_2	g ①	t nominal number	
150	SD534	SD534G	310	180	510	140	32	52	270	620	230	60	360	96	M24	M30
160	SD536	SD536G	320	190	540	150	32	52	280	650	240	60	380	96	M24	M30
170	SD538	SD538G	340	200	570	160	35	55	290	700	260	65	400	102	M30	M30
180	SD540	SD540G	360	210	610	170	35	55	300	740	270	65	420	108	M30	M30
200	SD544	SD544G	400	240	680	190	40	60	330	820	300	70	475	118	M30	M36
220	SD548	SD548G	440	260	740	200	42	62	340	880	310	85	515	130	M36	M36
240	SD552	SD552G	480	280	790	210	42	62	370	940	340	85	560	140	M36	M36
260	SD556	SD556G	500	300	830	230	50	70	390	990	370	100	590	140	M36	M42
280	SD560	SD560G	540	325	890	250	50	70	410	1060	390	100	640	150	M36	M42
300	SD564	SD564G	580	355	930	270	57	77	440	1110	420	110	690	160	M42	M48

150	SD634	SD634G	360	210	610	170	35	55	300	740	270	65	420	130	M30	M30
160	SD636	SD636G	380	225	640	180	40	60	320	780	290	70	450	136	M30	M36
170	SD638	SD638G	400	240	680	190	40	60	330	820	300	70	475	142	M30	M36
180	SD640	SD640G	420	250	710	200	42	62	350	860	320	85	500	148	M36	M36
200	SD644	SD644G	460	280	770	210	42	62	360	920	330	85	550	155	M36	M36
220	SD648	SD648G	500	300	830	230	50	70	390	990	370	100	590	165	M36	M42
240	SD652	SD652G	540	325	890	250	50	70	410	1 060	390	100	640	175	M36	M42
260	SD656	SD656G	580	355	930	270	57	77	440	1 110	420	110	690	185	M42	M48

- ① Dimension g represents the bearing seat width for free-side bearing.
Dimension for fixed-side (code G) is 0.5 mm greater than the bearing width dimension.
- ② Dimension Y is an approximate distance from the bearing center to the shaft end for shaft end configuration.

NOTE: 1) Fill and drain plugs:
Size: PT3/8

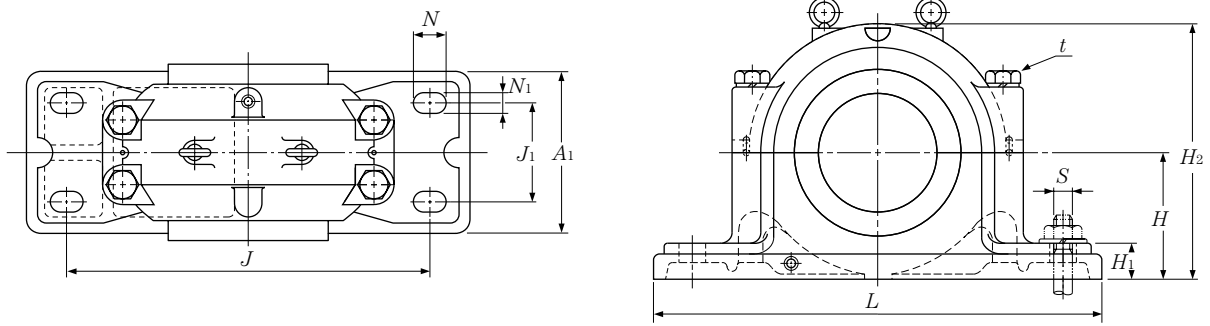


Mass kg (approx.)	Nominal number spherical roller bearings	Approx. mm Y Ⓣ	Seal number	shaft dia. mm d_i
95	22234BK;H3134	75	ZF34	150
110	22236BK;H3136	76	ZF36	160
130	22238BK;H3138	80	ZF38	170
150	22240BK;H3140	84	ZF40	180
210	22244BK;H3144	90	ZF44	200
240	22248BK;H3148	98	ZF48	220
320	22252BK;H3152	105	ZF52	240
370	22256BK;H3156	107	ZF56	260
460	22260BK;H3160	114	ZF60	280
560	22264BK;H3164	122	ZF64	300

150	22334BK;H2334	92	ZF34	150
180	22336BK;H2336	96	ZF36	160
210	22338BK;H2338	100	ZF38	170
240	22340BK;H2340	104	ZF40	180
300	22344BK;H2344	109	ZF44	200
370	22348BK;H2348	116	ZF48	220
460	22352BK;H2352	123	ZF52	240
560	22356BK;H2356	130	ZF56	260

Plummer Blocks SD30·SD30G

For heavy load, double rubber sealed type / For bearing with adapter assembly



d_1 150~450mm

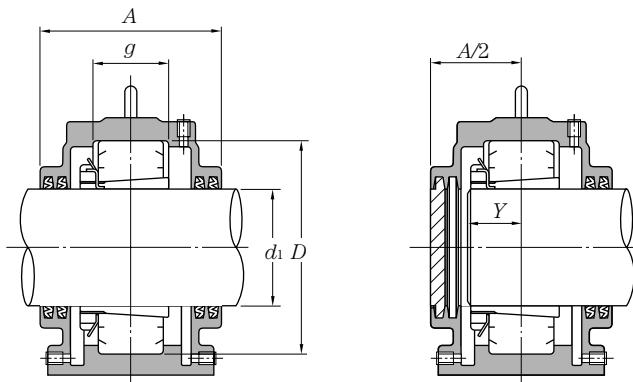
Shaft dia. mm d_1	Bearing numbers ①		Abutment and fillet dimensions													Approx. S nominal number
	free side	fixed side	D	H	J	J_1	N_1	N	mm A	L	A_1	H_1	H_2	g ②	t nominal number	
150	SD3034	SD3034G	260	160	450	110	32	42	230	540	200	50	320	77	M24	M30
160	SD3036	SD3036G	280	170	470	120	32	42	250	560	220	50	340	84	M24	M30
170	SD3038	SD3038G	290	170	470	120	32	42	250	560	220	50	345	85	M24	M30
180	SD3040	SD3040G	310	180	510	140	32	52	270	620	250	60	360	92	M24	M30
200	SD3044	SD3044G	340	200	570	160	35	55	290	700	280	65	400	100	M30	M30
220	SD3048	SD3048G	360	210	610	170	35	55	300	740	290	65	420	102	M30	M30
240	SD3052	SD3052G	400	240	680	190	40	60	340	820	320	70	475	114	M30	M36
260	SD3056	SD3056G	420	250	710	200	42	62	350	860	340	85	500	116	M36	M36
280	SD3060	SD3060G	460	280	770	210	42	62	360	920	350	85	550	128	M36	M36
300	SD3064	SD3064G	480	280	790	210	42	62	380	940	360	85	560	131	M36	M36
380	SD3080	SD3080G	600	365	960	270	57	77	430	1 140	420	120	710	158	M42	M48
400	SD3084	SD3084G	620	375	980	270	57	77	430	1 160	420	120	735	160	M42	M48
410	SD3088	SD3088G	650	390	1 040	280	57	77	460	1 220	450	125	765	167	M42	M48
430	SD3092	SD3092G	680	405	1 040	310	57	77	470	1 220	460	130	790	173	M42	M48
450	SD3096	SD3096G	700	415	1 100	320	57	77	485	1 270	470	130	820	175	M42	M48

① SD3068, SD3072 and SD3076 are respectively identical to SD3368, SD3372 and SD3376 in terms of dimensions. For this reason, specify "SD3368," "SD3372" or "SD3376" when ordering SD3068, SD3072 or SD3076.

② Dimension g represents the bearing seat width for free-side bearing. Dimension for fixed-side (code G) is 0.5 mm greater than the bearing width dimension.

③ Dimension Y is an approximate distance from the bearing center to the shaft end for shaft end configuration.

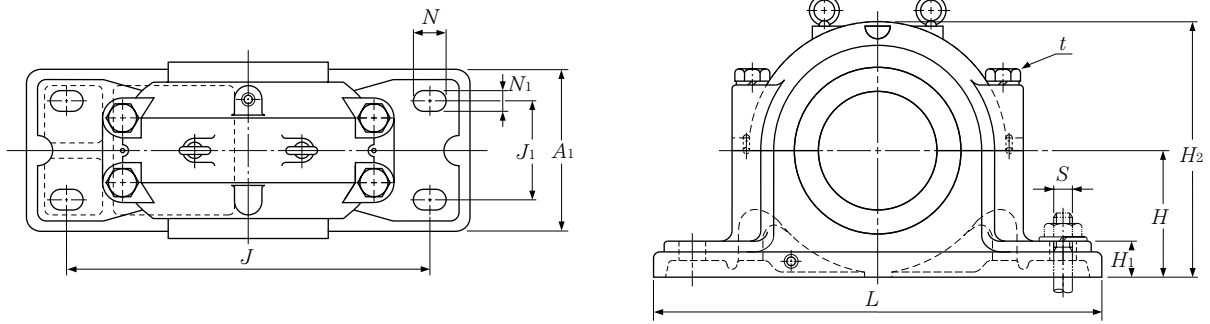
NOTE: 1) Fill and drain plugs:
Size: PT3/8



Mass kg (approx.)	Nominal number spherical roller bearings	Approx. mm Y	Seal number	shaft dia. mm d_i
70	23034BK;H3034	66	ZF34	150
80	23036BK;H3036	70	ZF36	160
85	23038BK;H3038	72	ZF38	170
100	23040BK;H3040	76	ZF40	180
130	23044BK;H3044	79	ZF44	200
150	23048BK;H3048	84	ZF48	220
210	23052BK;H3052	90	ZF52	240
240	23056BK;H3056	95	ZF56	260
300	23060BK;H3060	105	ZF60	280
320	23064BK;H3064	108	ZF64	300
620	23080BK;H3080	131	GS80	380
690	23084BK;H3084	132	GS84	400
800	23088BK;H3088	144	GS88	410
870	23092BK;H3092	147	GS92	430
980	23096BK;H3096	148	GS96	450

Plummer Blocks SD31·SD31G

For heavy load, double sealed type / For bearing with adapter assembly



d_1 150~400mm

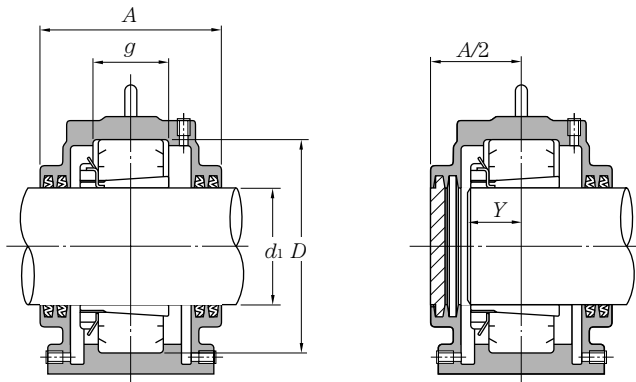
Shaft dia. mm d_1	Bearing numbers ①		Abutment and fillet dimensions													Approx. S nominal number
	free side	fixed side	D	H	J	J_1	N_1	N	mm			L	A_1	H_1	H_2	
150	SD3134	SD3134G	280	170	470	120	35	42	250	560	220	50	340	98	M24	M30
160	SD3136	SD3136G	300	180	520	140	35	52	270	630	250	55	365	106	M30	M30
170	SD3138	SD3138G	320	190	560	140	35	55	310	680	270	55	385	114	M30	M30
180	SD3140	SD3140G	340	200	570	160	35	55	310	700	280	65	400	122	M30	M30
200	SD3144	SD3144G	370	225	640	180	40	60	320	780	310	70	450	130	M30	M36
220	SD3148	SD3148G	400	240	680	190	40	60	330	820	320	70	475	138	M30	M36
240	SD3152	SD3152G	440	260	740	200	42	62	360	880	350	85	515	154	M36	M36
260	SD3156	SD3156G	460	280	770	210	42	62	360	920	350	85	550	156	M36	M36
280	SD3160	SD3160G	500	300	830	230	50	70	390	990	380	100	590	170	M36	M42
300	SD3164	SD3164G	540	325	890	250	50	70	430	1 060	400	100	640	186	M36	M42
340	SD3172	SD3172G	600	365	960	310	57	77	470	1 140	460	120	710	202	M42	M48
360	SD3176	SD3176G	620	375	980	320	57	77	500	1 160	490	120	735	204	M42	M48
380	SD3180	SD3180G	650	390	1 040	340	57	77	520	1 220	510	125	765	210	M42	M48
400	SD3184	SD3184G	700	420	1 070	380	57	77	560	1 250	550	135	820	234	M42	M48

① SD3168 is identical to SD3468 in terms of dimensions. For this reason, specify "SD3468" when ordering SD3168.

② Dimension g represents the bearing seat width for free-side bearing. Dimension for fixed-side (code G) is 0.5 mm greater than the bearing width dimension.

③ Dimension Y is an approximate distance from the bearing center to the shaft end for shaft end configuration.

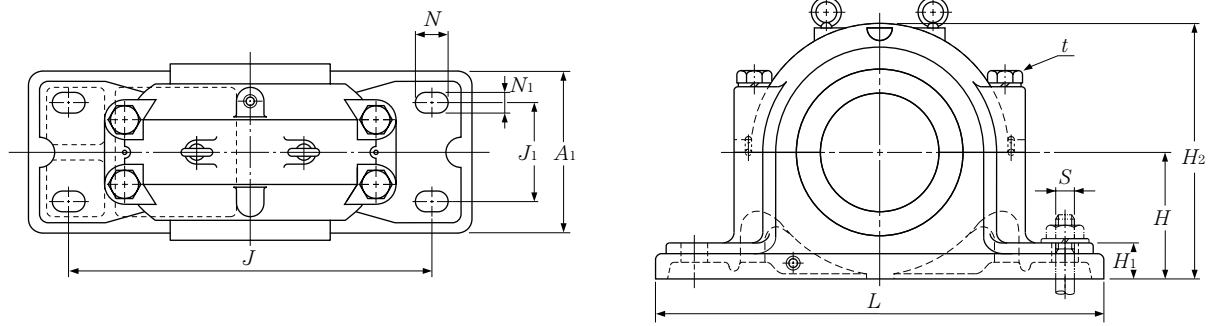
NOTE: 1) Fill and drain plugs:
Size: PT3/8



Mass kg (approx.)	Nominal number spherical roller bearings	Approx. mm Y	Seal number	shaft dia. mm d_i
75	23134BK;H3134	76	ZF34	150
94	23136BK;H3136	81	ZF36	160
110	23138BK;H3138	86	ZF38	170
130	23140BK;H3140	91	ZF40	180
180	23144BK;H3144	96	ZF44	200
210	23148BK;H3148	102	ZF48	220
240	23152BK;H3152	112	ZF52	240
310	23156BK;H3156	115	ZF56	260
400	23160BK;H3160	124	ZF60	280
480	23164BK;H3164	135	ZF64	300
630	23172BK;H3172	159	GS72	340
850	23176BK;H3176	162	GS76	360
960	23180BK;H3180	167	GS80	380
1 080	23184BK;H3184	187	GS84	400

Plummer Blocks SD2·SD2G·SD3·SD3G

Heavy load, stepped bore type / For cylindrical bore bearing



d_1 170~320mm

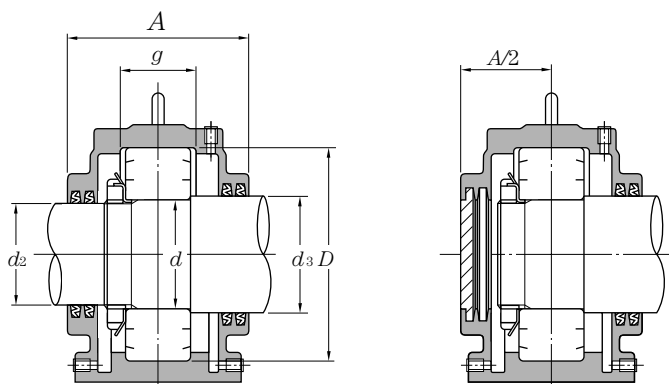
Shaft dia. mm			Bearing numbers		Abutment and fillet dimensions													Approx.
d	d_2	d_3	free side	fixed side	D	H	J	J_1	N_1	N	mm			g ①	t	mm		
										A	L	A_1	H_1	H_2	nominal number			
170	160	190	SD234	SD234G	310	180	510	140	32	52	270	620	230	60	360	96	M24	M30
180	170	200	SD236	SD236G	320	190	540	150	32	52	280	650	240	60	380	96	M24	M30
190	180	210	SD238	SD238G	340	200	570	160	35	55	290	700	260	65	400	102	M30	M30
200	190	220	SD240	SD240G	360	210	610	170	35	55	300	740	270	65	420	108	M30	M30
220	210	240	SD244	SD244G	400	240	680	190	40	60	330	820	300	70	475	118	M30	M36
240	230	260	SD248	SD248G	440	260	740	200	42	62	340	880	310	85	515	130	M36	M36
260	250	280	SD252	SD252G	480	280	790	210	42	62	370	940	340	85	560	140	M36	M36
280	260	300	SD256	SD256G	500	300	830	230	50	70	390	990	370	100	590	140	M36	M42
300	280	320	SD260	SD260G	540	325	890	250	50	70	410	1 060	390	100	640	150	M36	M42
320	300	340	SD264	SD264G	580	355	930	270	57	77	440	1 110	420	110	690	160	M42	M48

170	160	190	SD334	SD334G	360	210	610	170	35	55	300	740	270	65	420	130	M30	M30
180	170	200	SD336	SD336G	380	225	640	180	40	60	320	780	290	70	450	136	M30	M36
190	180	210	SD338	SD338G	400	240	680	190	40	60	330	820	300	70	475	142	M30	M36
200	190	220	SD340	SD340G	420	250	710	200	42	62	350	860	320	85	500	148	M36	M36
220	210	240	SD344	SD344G	460	280	770	210	42	62	360	920	330	85	550	155	M36	M36
240	230	260	SD348	SD348G	500	300	830	230	50	70	390	990	370	100	590	165	M36	M42
260	250	280	SD352	SD352G	540	325	890	250	50	70	410	1 060	390	100	640	175	M36	M42
280	260	300	SD356	SD356G	580	355	930	270	57	77	440	1 110	420	110	690	185	M42	M48

① Dimension g represents the bearing seat width for free-side bearing. Dimension for fixed-side (code G) is 0.5 mm greater than the bearing width dimension.

② Dimension Y is an approximate distance from the bearing center to the shaft end for shaft end configuration.

NOTE: 1) Fill and drain plugs:
Size: PT3/8



Mass kg (approx.)	Nominal number			Approx. mm Y [⊙]	Seal number		shaft dia. mm d
	spherical roller bearings	nut	washer		(d_2)	(d_3)	
95	22234B	AN34	AW34	75	ZF36	ZF42	170
110	22236B	AN36	AW36	76	ZF38	ZF44	180
130	22238B	AN38	AW38	80	ZF40	ZF46	190
150	22240B	AN40	AW40	84	ZF42	ZF48	200
210	22244B	AN44	AL44	90	ZF46	ZF52	220
240	22248B	AN48	AL44	98	GS50	ZF56	240
320	22252B	AN52	AL52	105	ZF54	ZF60	260
370	22256B	AN56	AL52	107	ZF56	ZF64	280
460	22260B	AN60	AL60	114	ZF60	ZF68	300
560	22264B	AN64	AL64	122	ZF64	GS72	320

150	22334B	AN34	AW34	92	ZF36	ZF42	170
180	22336B	AN36	AW36	96	ZF38	ZF44	180
210	22338B	AN38	AW38	100	ZF40	ZF46	190
240	22340B	AN40	AW40	104	ZF42	ZF48	200
300	22344B	AN44	AL44	109	ZF46	ZF52	220
370	22348B	AN48	AL44	116	GS50	ZF56	240
460	22352B	AN52	AL52	123	ZF54	ZF60	260
560	22356B	AN56	AL52	130	ZF56	ZF64	280