



# Constant Velocity Joints



## Constant Velocity Joints



### 1.1 Features

- Smooth operation**  
 The constant velocity mechanism ensures smooth and quiet rotation.
- Secure sealing**  
 The grease is fully contained within a boot, ensuring a clean and hygienic environment.
- Requires no relubrication for a prolonged period.**  
 The boot provides a reliable seal that prevents grease leakage and water ingress, ensuring a long period of relubrication-free operation.
- Wide range of variants**  
 We offer a wide range of constant velocity joints of various types and sizes. Choose the optimal joint design or configuration to meet the intended application and operating conditions.

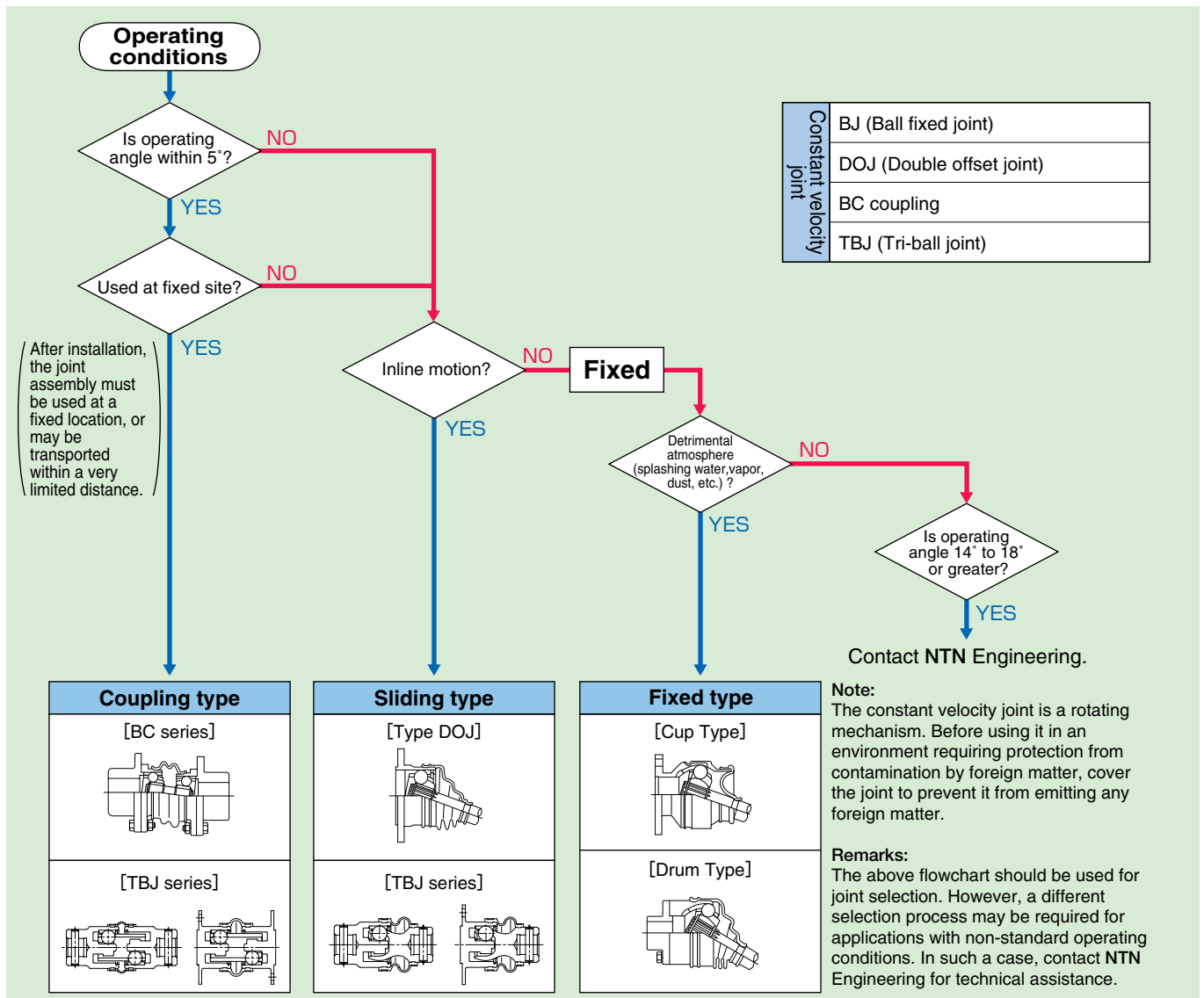
### 1.2 Types and features of constant velocity joint

| Type          | Model            | Joint number                       | Max. permissible operating angle <sup>①</sup> | Features   |
|---------------|------------------|------------------------------------|---|--|
| Fixed type    | Cup type         | BJ75C ~BJ225C                      | 25°   | Greater permissible operating angle<br>Outstanding sealing performance                   |
|               | Drum type        | BJ75M ~BJ125M                      |   |  |
| Sliding type  | DOJ flanged type | DOJ 68F~DOJ200F<br>DOJ225F~DOJ625F | 20°<br>8°~10°                                 | Expansion is possible within the joint.<br>Low sliding resistance (expanding resistance) |
|               | TBJ flanged type | TBJ8SF~TBJ60SF                     | 16°~18°                                       |  |
|               | TBJ bossed type  | TBJ8SB~TBJ60SB                     |   |  |
| Coupling type | BC series        | BC68~BC200 <sup>②</sup>            | 5°  | No alignment work is needed.<br>Easy mounting.   |
|               | TBJ DF series    | TBJ8DF~TBJ60DF                     | 8°  |  |
|               | TBJ DB series    | TBJ8DB~TBJ60DB                     |   |  |

① The maximum permissible operating angle is limited by the boot, as well as the number of revolutions and operating conditions of the joint assembly.

② We can manufacture larger joints upon customer request. For details, contact NTN Engineering.

### 1.3 Type selection flowchart



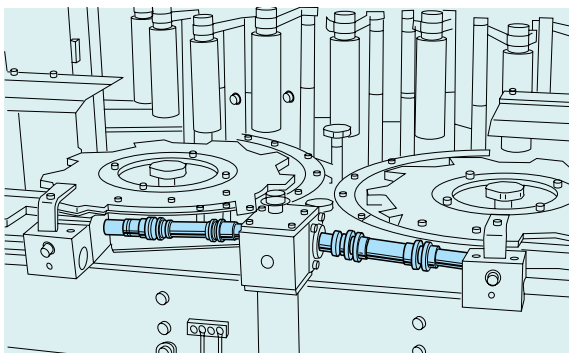
### 1.4 Typical applications

Canning lines for fish, meat, fruit, beverages, food and delicacies.

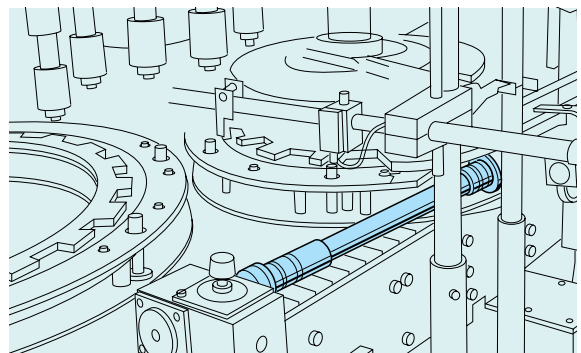
Bottling lines for beverages, liquid seasonings, etc.

Packing lines for instant foods/retort-packaged foods.

Rotary drives in bottle-washing machines, labelers, kneading machines, etc.



Bottle-washing machine



Bottle capping machine