

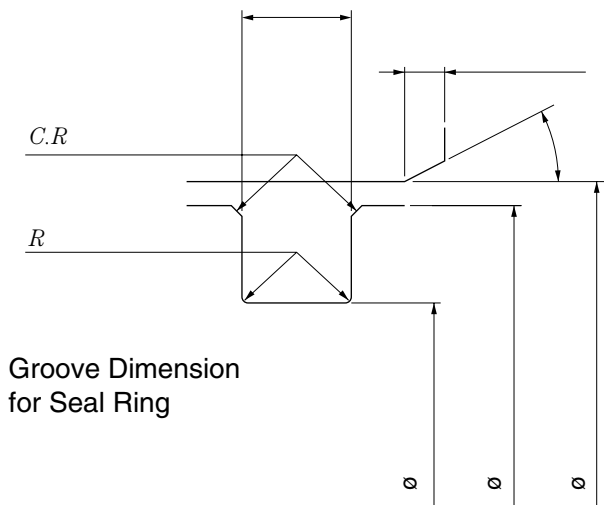
Company name/Division _____

Your name _____

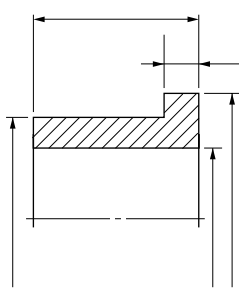
Phone _____ Fax _____

NTN Engineering Plastics Application Inquiry

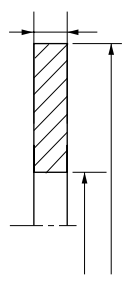
Items	Confirmation
1. Equipment	
2. Application	
3. Ambient temperature	Max. Min. °C
4. Ambient humidity	%
5. Environment	Air, Water, Sea Water
6. Type of load	Static, Dynamic, Shock, Vibration, Repetition Other()
7. Type of motion	Rotation, Rocking, Oscillation, Other()
8. Operating time	h/day cycle/min
9. Speed	rpm
10. Sliding velocity	m/min
11. Load	Axial, Radial, N {kgf}
12. Pressure(Seal ring)	MPa {kgf/cm ² }
13. Lubrication	
14. Shaft	Dimension :
	Material :
	Hardness :
	Roughness :
15. Housing	Dimension :
	Material :
	Hardness :
	Roughness :
16. Remarks	



Groove Dimension for Seal Ring



Bushing



Thrust Washer