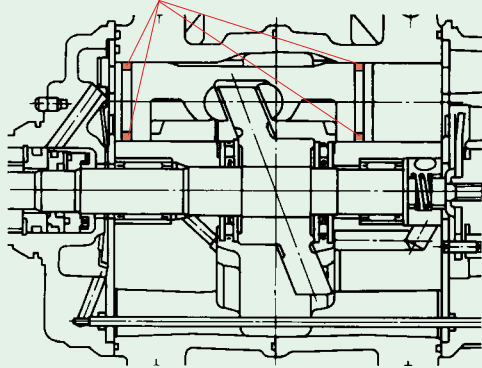
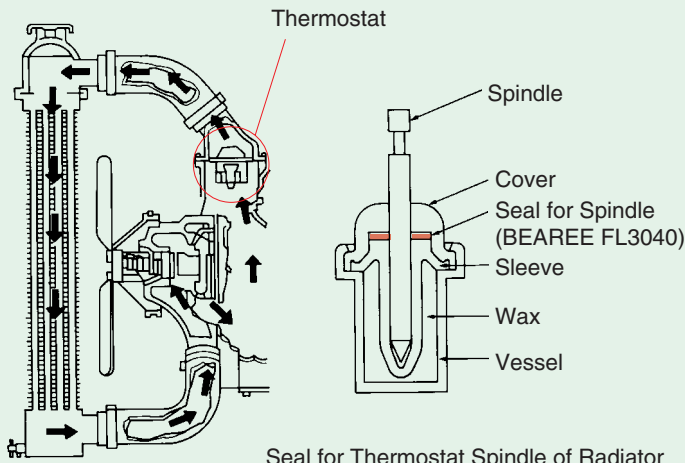
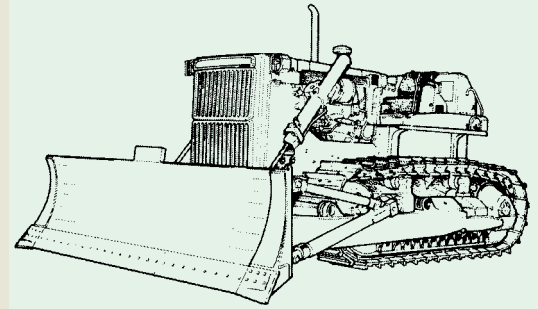


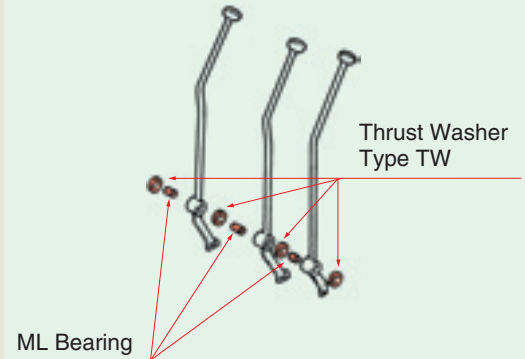
Piston Seal Ring
(BEAREE FL 3000, FL 3030)



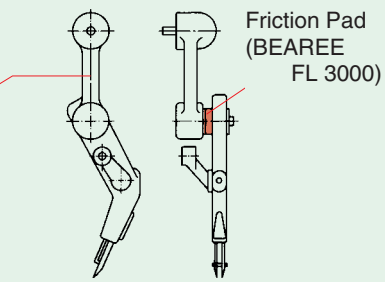
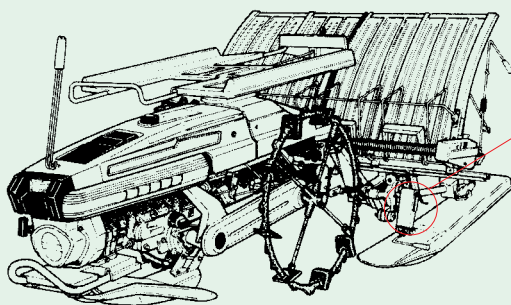
Piston Seal Ring for Car Air Conditioner Compressor



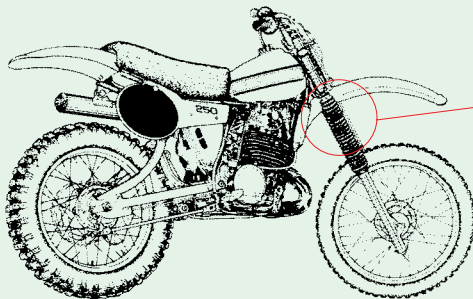
Seal for Thermostat Spindle of Radiator



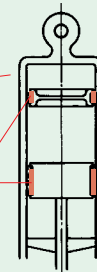
Control Lever for Construction Machine



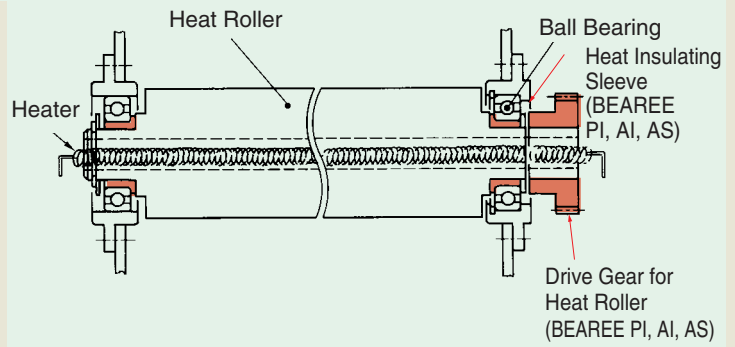
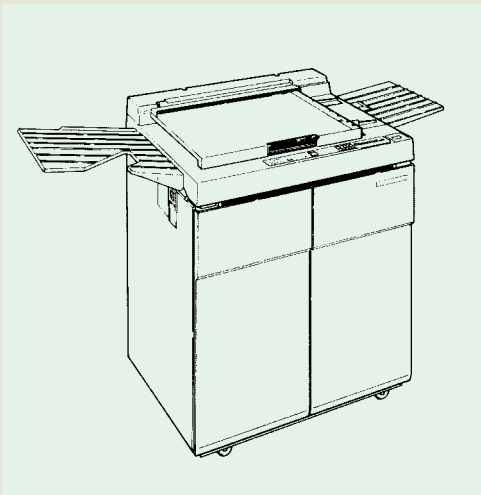
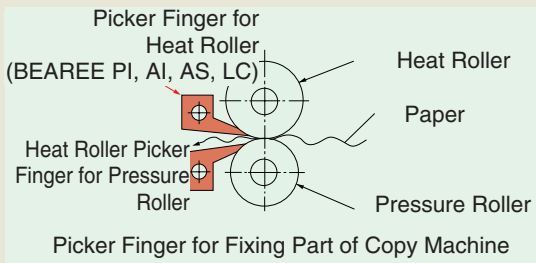
Hinge for Agricultural Machine



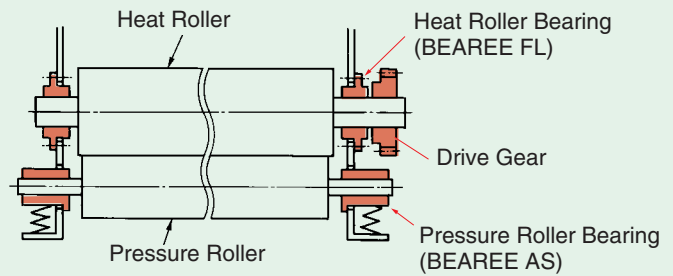
Piston Ring
(BEAREE FL 3030)



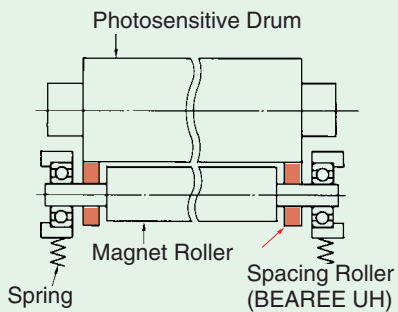
Front Fork for Motorcycle



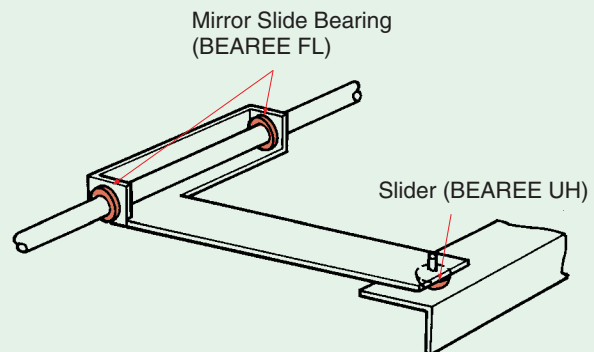
Heat Roller Drive Gear and Heat Insulating Sleeve for Copy Machine



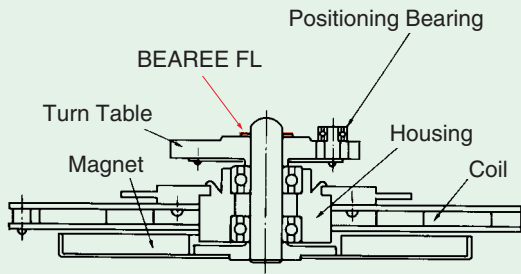
Heat Roller and Pressure Roller Bearing for Copy Machine



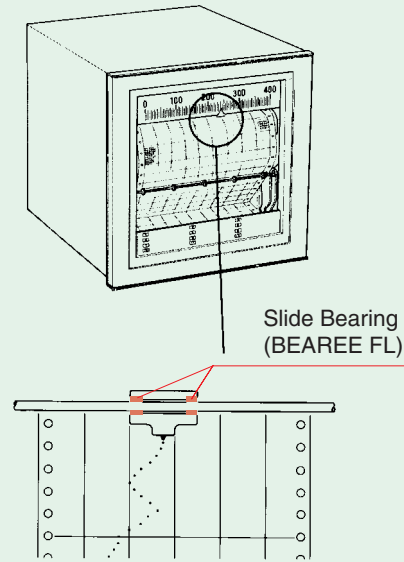
Spacing Roller for Developing Part of Copy Machine



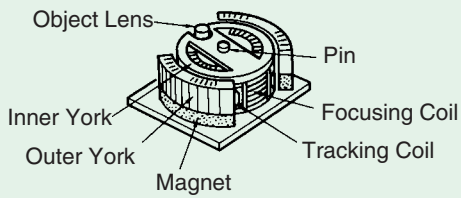
Mirror Slide Bearing and Slider for Optical Part of Copy Machine



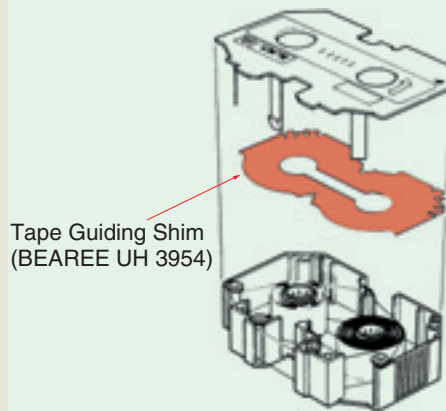
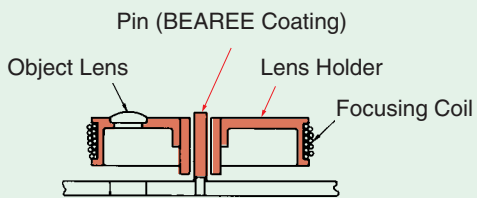
Turn Table for 3.5" FDD



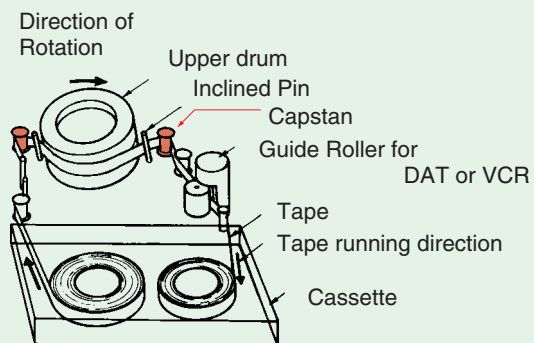
Sliding Part for Pen Recorder



Pickup Focusing Unit for Optical Disk



Ink Ribbon Cassette for Printer



Guide Roller for DAT or VCR

